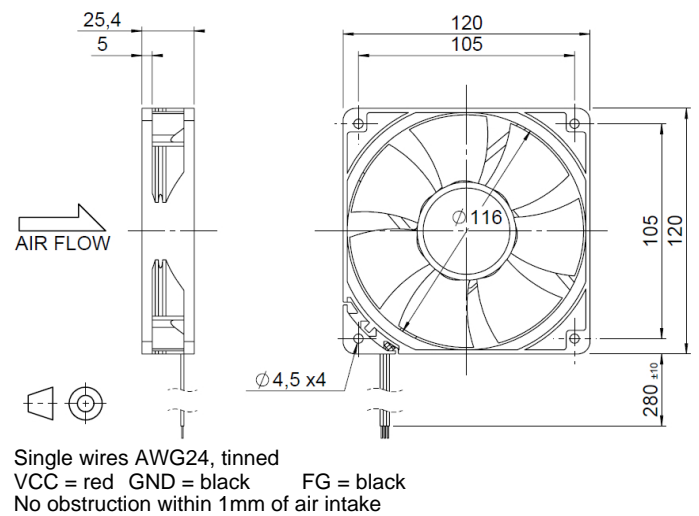
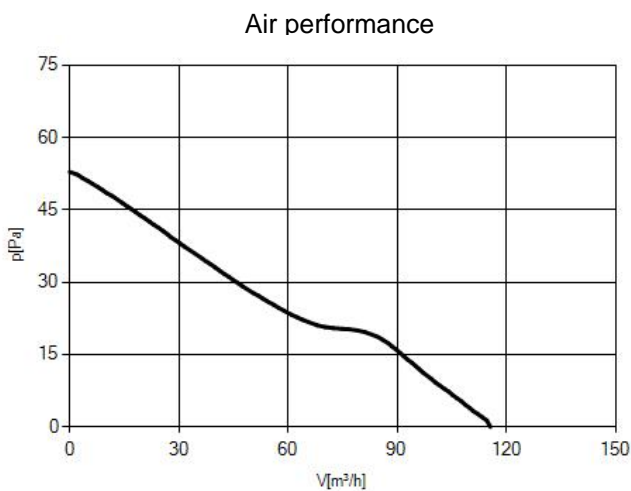


AG12024MB257300



Certifications	CE / UL / CA
U [V DC]	24 [V]
I _{typ} [mA]	140 [mA]
I _{max} [mA]	154 [mA]
V _{max} [m³/h]	117 [m³/h]
P _{max} [Pa]	53 [Pa]
Noise [dB(A)]	41 [dB(A)]
Rotation Speed [min ⁻¹]	2500 [min ⁻¹]
Signal / FG [Imp/U]	3 [Imp/U]
PWM	no
Temp. [°C]	-10 [°C] - 70 [°C]
L10/MTTF @ 40°C [h]	70000 [h] - 350000 [h]
Bearing type	Ball bearing
Weight [kg]	0,185

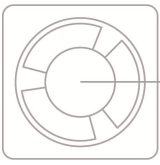
* Noise and rotation speed are subject to deviations due to tolerance.

ORDER INFORMATION

AG12024MB257300 Art.Nr.: 995022049

Technical changes without notice
26.11.2025

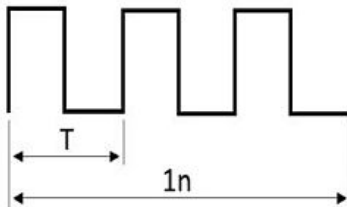
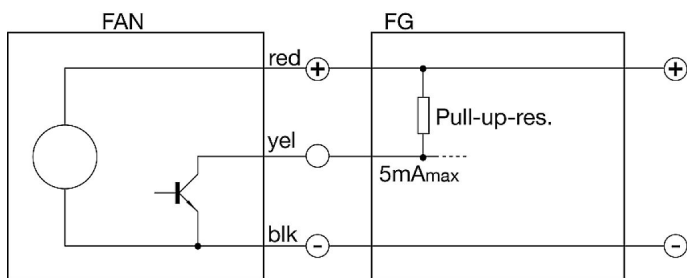
SEPA EUROPE GmbH DE-79427 Eschbach Tel.: +49 7634/59459-0 info@sepa-europe.com



AG12024MB257300

FG

IMPORTANT: The pulse output is not protected against short circuit and must not be connected to GND or VCC without series resistor. A pull-up-resistor is needed. Insulate not used pulse output!



Run: Low=0.3V max High=VCC
Stop: Low or High
 $T = \text{rpm}/60 \cdot [\text{pulses per revolution}]$