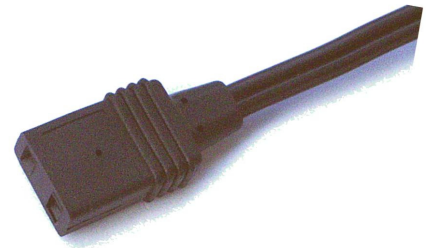


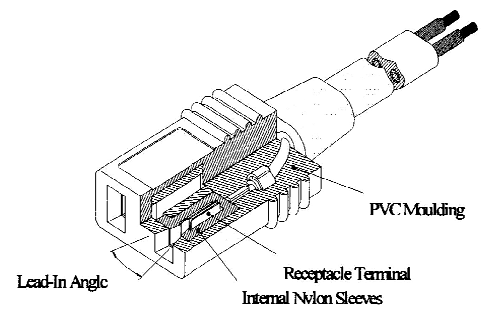
SPT-1

POWER LEADS FOR AC-FANS



DESCRIPTION

Cable for quick connection or disconnection of AC-fans with standard terminal male plugs. 2.8x0.5mm, length 910 mm, straight head (other types on request). Lead wire ends tinned. Color: black, certification: UL E88265
ATTENTION: The connection work must be done by a qualified technician.



Art. No.	Description	Type	Length [mm]	Packing quantity [Pcs.]
911032100	Fan power lead, straight	SPT-1	910	50
911032145	Fan power lead, 45° angle	SPT-1-45 *)	910	50

Shape 45° and other lengths on request

Technical changes without notice • 05/15