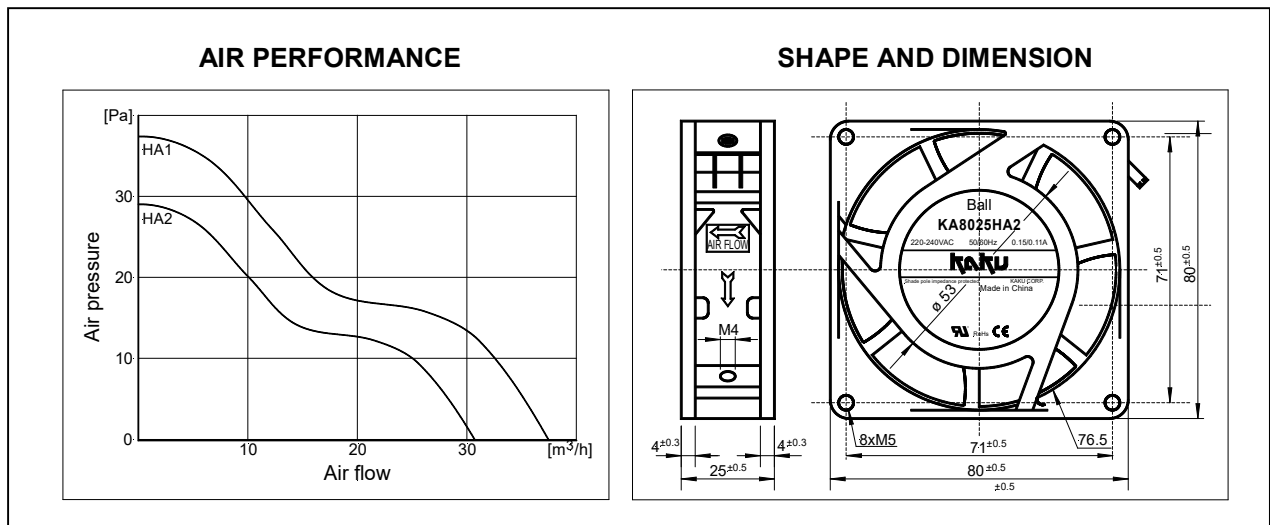


KA8025 Series

HIGH PERFORMANCE AC-FAN



PERFORMANCE

CE	KA8025HA1BMT [60Hz]	KA8025HA2BMT [50Hz]
Operating voltage [VAC]	100...115...127	195...230...253
Typ. power input [W]	18	20
Max. air flow [m ³ /h]	37.4	30.6
Max. air pressure [Pa]	37	29
Typ. noise @ 1m distance [dB(A)]	32	30
Operating temperature [°C]	-40 ... +80	
Direction of rotation	CW	
Direction of air flow	Over struts	
Life expectancy L ₁₀ /MTTF @ 40°C [h]	50000/400000	
Typ. rotor speed [RPM]	3200	2700
Bearing system	2 ball bearings ZZ	
Weight [g]	260	
Connection	2 terminals 2.8x0.5mm (Lead wires on request)	
Standard packing unit [PCs.]	40 - 480	

This **KAKU**® AC fan is suitable for industrial use and has a remarkable air flow performance despite its very small dimensions. It is permanently electrically protected against rotor blocking and thermal overloading. Due to the low rotor weight and the precision balancing it has very low vibration and is insensitive to shock.

Further features of this fan are extremely robust and torsionally rigid housing of aluminum and the ball bearings made from special.

KAKU® is the brand name for fans, made for **SEPA** Europe by KAKU Corp., CN

Technical changes without notice • 04/19