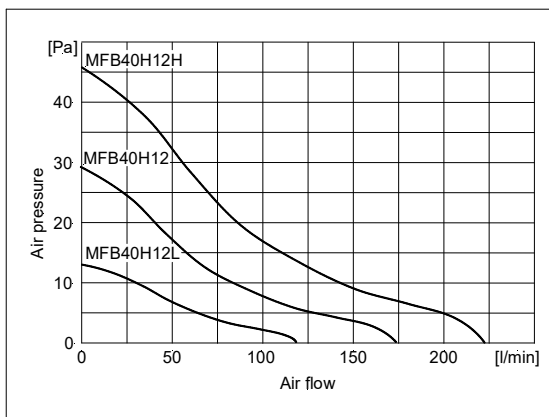


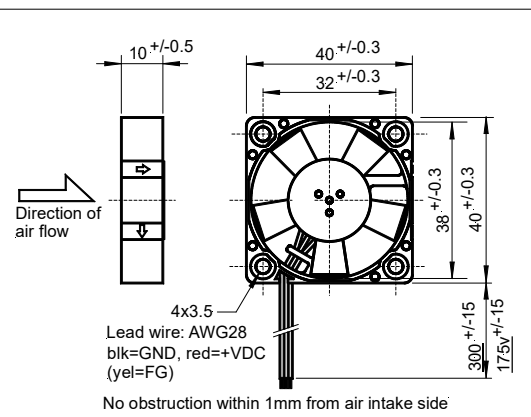
MFB40H12 Series HIGH PERFORMANCE FAN



AIR PERFORMANCE



SHAPE AND DIMENSION



PERFORMANCE

CE		MFB40H12L-003	MFB40H12-003	MFB40H12H-001
		MFB40H12LA-002	MFB40H12A-007	MFB40H12HA-001
Operating voltage	[VDC]	10.8 ... 12 ... 13.2		
Typ. operating current	[mA]	40	50	100
Max. start current	[mA]	80	130	300
Max. air flow	[l/min-m ³ /h]	118 - 7.1	173 - 10.3	222 - 13.9
Max. air pressure	[Pa-mmH ² O]	13 - 1.3	20 - 3.0	48 - 4.9
Typ. noise (1m dist. from air intake side)	[dB(A)]	15	25	31
Typ. rotor speed	[RPM]	3800	5500	7100
FG (...A only)	[PPR]	2		
Operating temperature	[°C]	-40 ... +85		
Motor protection		Impedance		IC
Life expectancy L10/MTBF@ 40°C	[h]	≥70000/550000		
Bearing system		2 HG ball bearings ZZ		
Weight	[g]	13		
Standard packing quantity	[Pcs.]	50-100-500		

Technical changes without notice • 2019/12/15

MFB40H12 Series HIGH PERFORMANCE FAN



• ALARM SIGNAL (Optional)

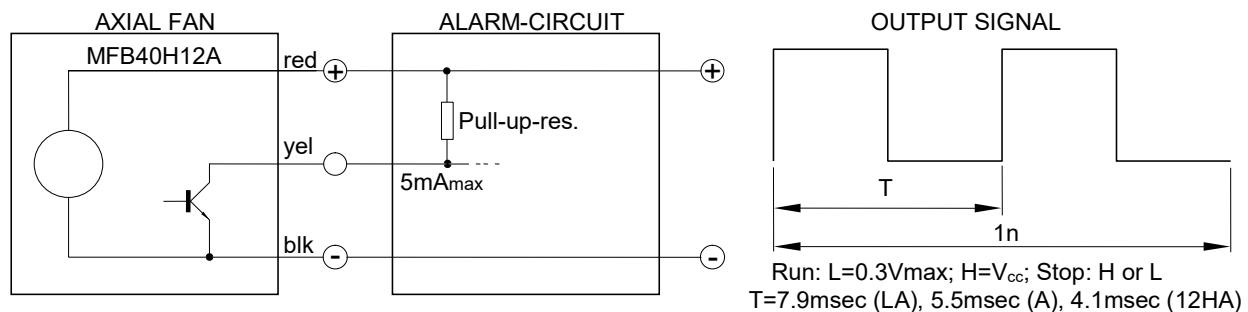
The **SEPA**® fan MFB40H12..A includes a pulse output, which allows monitoring the correct function of the fan.

The pulse is like a rectangular wave, the frequency correlates to 2 x rotor speed. The amplitude appears periodically. At blocked rotor the output signal could be L ($\leq 0,3V$) or H (V_{cc}).

IMPORTANT: The pulse output against short circuit is not protected and must not connect to GND or Vcc without pre-resistor. A pull-up-resistor is needed. Do not connect not used pulse output (insolate).

The fans MFB40H12... have tinned lead wire ends (without connector).

Do not touch the rotor! Please note the handling specification!



• ACCESSORIES:

Connector: on request

• ORDER INFORMATION (Delivery time on request)

MFB40H12L-003	SEPA ® Miniature fan, 40x40x10mm, 12VDC, HG-ball bearings, CE	514082104
MFB40H12LA-002	SEPA ® Miniature fan, 40x40x10mm, 12VDC, HG-ball bearings, FG, CE	514082110
MFB40H12-003	SEPA ® Miniature fan, 40x40x10mm, 12VDC, HG-ball bearings, CE , RoHS	514082000
MFB40H12A-007	SEPA ® Miniature fan, 40x40x10mm, 12VDC, HG-ball bearings, FG, CE , RoHS	514082010
MFB40H12H-001	SEPA ® Miniature fan, 40x40x10mm, 12VDC, HG-ball bearings, CE	514082200
MFB40H12HA-001	SEPA ® Miniature fan, 40x40x10mm, 12VDC, HG-ball bearings, FG, CE	514082210

SEPA® is the brand name for fans and CPU-cooler, made by Nippon Keiki Works LTD., Tokyo