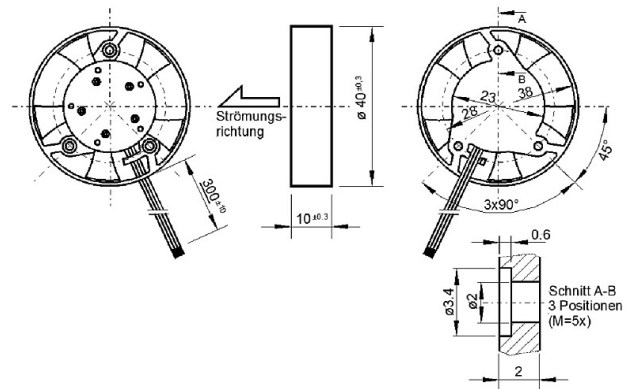
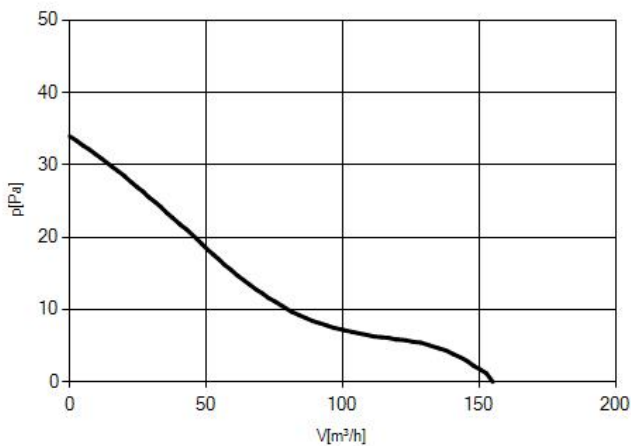


LF40B12SE02BP

Air performance



Single wires AWG28, tinned
VCC = red GND = black FG = black
No obstruction within 1mm of air intake

Certifications	CE / WEEE
U [V DC]	12 [V]
I _{typ} [mA]	50 [mA]
I _{max} [mA]	160 [mA]
V _{max} [m³/h]	9,4 [m³/h]
P _{max} [Pa]	33,3 [Pa]
Noise [dB(A)]	33 [dB(A)]
Rotation Speed [min ⁻¹]	6600 [min ⁻¹]
Signal / FG [Imp/U]	[Imp/U]
PWM	no
Temp. [°C]	-10 [°C] - 80 [°C]
L10/MTTF @ 40°C [h]	40000 [h] - 210000 [h]
Bearing type	MagFix
Weight [kg]	0,014

* Noise and rotation speed are subject to deviations due to tolerance.

ORDER INFORMATION

LF40B12SE02BP Art.Nr.: 504072000

Technical changes without notice
26.11.2025

SEPA EUROPE GmbH DE-79427 Eschbach Tel.: +49 7634/59459-0 info@sepa-europe.com